

GAUGE ISOLATORS

Model GI



FEATURES

- Protects and isolates pressure sensing instruments
- Total isolation from system media
- Low profile design eliminates dead volume
- Convoluted diaphragm allows accurate transmission of system pressure
- Optimum pressure containment spherical design
- Low in original cost and maintenance
- Simple installation

SCOPE

- The Marquest Gauge Isolator provides two fluid chambers separated by an impermeable membrane. The upper chamber (instrument side) is normally filled with a stabilized liquid. The lower chamber receives the media under pressure.
- Most pressure sensing devices are compatible with 1/4" FNPT outlet. The inlet is standard 1/2" FNPT or 1/4" FNPT.
- Chemical resistance and purity levels are as recommended for the base materials.
- No metals or lubricants are used in construction, internally or externally.
- Custom membranes may be supplied upon request.

MATERIALS OF CONSTRUCTION

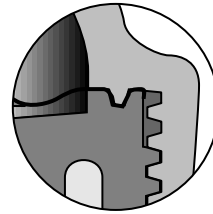
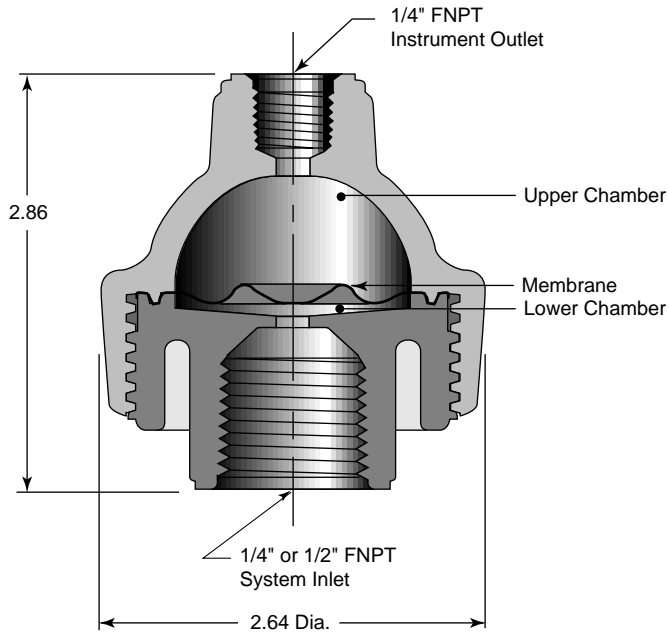
Body

- PVC: Polyvinyl Chloride
- CPVC: Chlorinated Polyvinyl Chloride
- PP: Polypropylene homopolymer, glass & mineral reinforced

Membrane

- Standard: PTFE, Teflon®, also available in:
- FPM: Viton®, Fluorine elastomer
- EPDM: Ethylene Propylene elastomer

DIMENSIONAL DATA



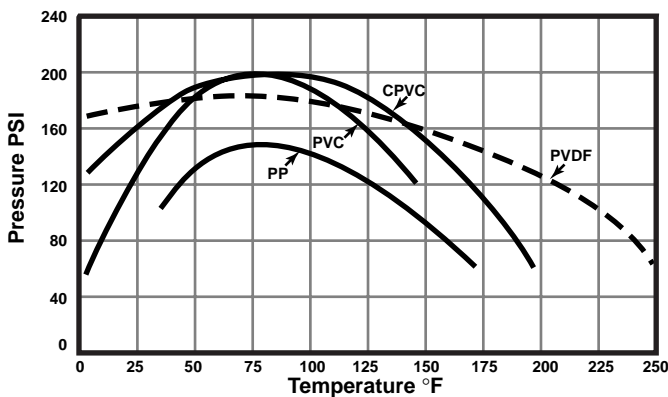
Positive sealing of membrane

Protection against chemical and physical reaction on pressure sensing devices.

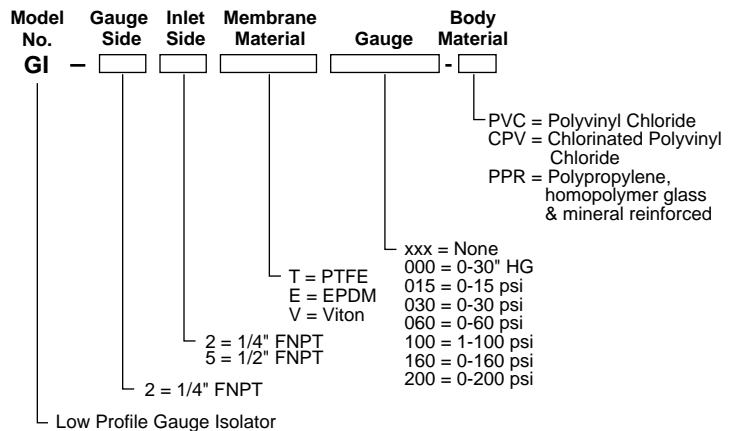
System fluids, gas or liquid are dependably separated from sensitive components by an impermeable membrane.

Corrosive media are effectively contained and high purity media are protected from contamination.

PRESSURE/TEMPERATURE



HOW TO ORDER



Example Part Number **GI-25T060-PVC**

Gauge Isolator with 1/4" FNPT outlet, 1/2" FNPT inlet, PTFE Membrane, 0-60 psi gauge and a Polyvinyl Chloride Body



1702 East Via Burton Anaheim, CA 92806
 714.491.9191 Fax: 714.491.9199
 www.marquestscientific.com
 sales@marquestscientific.com

MARQUEST
SCIENTIFIC

Bulletin No. GI 0399