

INDICATING PRESSURE SWITCH MODEL : P535, P536 SERIES

WISE®

SERVICE INTENDED

P535 and P536 Series indicating Pressure Switch are micro contact type, suitable for corrosive fluid and high pressure measurement. Deadband is fixed.

NOMINAL DIAMETER

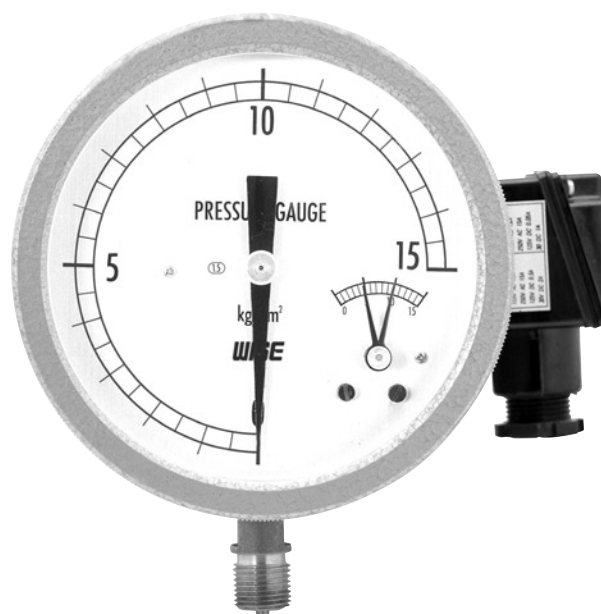
150mm

REPEATABILITY

±1.0% of Adjustable Range

ADJUSTABLE RANGE

-76cmHg~0 to -76cmHg~20 kgf/cm² and
0~1 to 0~350 kgf/cm²



Standard Features

PRESSURE CONNECTION

316SS

ELEMENT

C Type Bourdon.Tube,
316SS

CASE & COVER

AC7A-F, Silver Gray Painted

CONTACT

Micro Contact Type
One SPDT or Two SPDT
One DPDT

CONTACT RATING

-AC 125V/250V, 15A and DC 30V, 2A
DC 125V, 0.5A for Resistance Load
-AC 125V/250V, 15A and DC 30V, 1A
DC 125V, 0.05A for Inductive Load

PROCESS CONNECTION

3/8", 1/2" PT, NPT and PF

CONDUIT CONNECTION

3/4" PF

ORDERING INFORMATION

BASE MODEL

P535 : INDICATING PRESSURE SWITCH (SINGLE SET POINT)

P536 : INDICATING PRESSURE SWITCH (DUAL SET POINT)

NOMINAL DIAMETER

6 : 150mm

MOUNTING

B : Bottom Connection, Surface, Case Mounting Plate

UNUSED CHARACTER

4

PROCESS CONNECTION

D : 3/8"

E : 1/2"

CONNECTION TYPE

B : PF

C : PT

D : NPT

MEASURING UNIT

B : kgf/cm² (Pressure) or cmHg + kgf/cm² (Compound)

C : cmHg, Only available with Vacuum gauge

RANGE

Refer to Scale Range Table

DIAL COLOR

3 : 2 Colors

7 : 3 Colors, Available with Compound and Vacuum gauges

OPTIONS

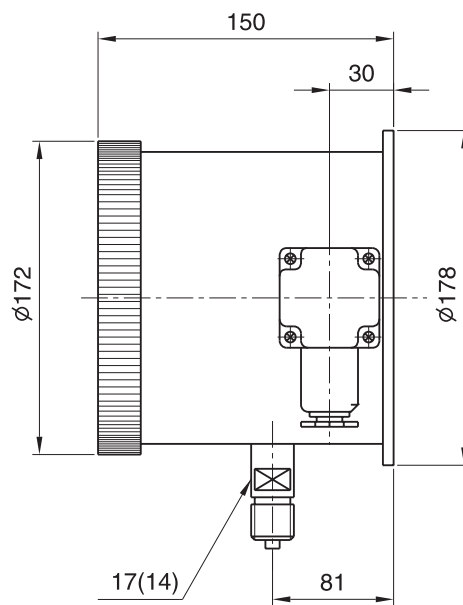
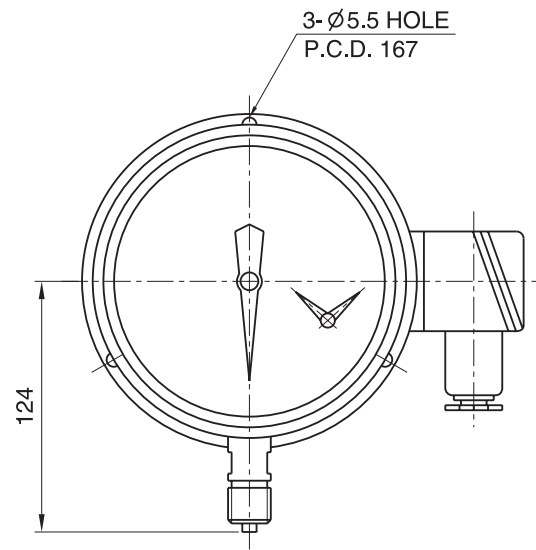
0 : None

1 : Accessories

P535 **6** **B** **4** **E** **C** **B** **041** **3** **0** **SAMPLE MODEL NUMBER**

P535, P536 : TYPE OF MOUNTING

CODE B



PRESSURE RANGE TABLE

	SCALE (kgf/cm ²)	P535	P536	ORDER CODE
VACUUM GAUGE	-76cmHg~0	○	○	026
PRESSURE GAUGE	0~0.5	○	○	040
	0~1	○	○	041
	0~2	○	○	042
	0~3	○	○	043
	0~4	○	○	044
	0~6	○	○	045
	0~10	○	○	047
	0~15	○	○	050
	0~20	○	○	051
	0~25	○	○	052
	0~35	○	○	054
	0~50	○	○	055
	0~70	○	○	057
	0~100	○	○	058
	0~150	○	○	059
	0~250	○	○	062
	0~350	○	○	064
COMPOUND GAUGE	-76cmHg~1	○	○	027
	-76cmHg~2	○	○	028
	-76cmHg~3	○	○	029
	-76cmHg~4	○	○	030
	-76cmHg~6	○	○	031
	-76cmHg~10	○	○	032
	-76cmHg~15	○	○	033
	-76cmHg~20	○	○	034

○ : AVAILABLE × : NOT AVAILABLE